

# TUCHEL<sup>®</sup>

## MASCHINENBAU GmbH

Road sweepers | Snow blades | Vehicles



# TUCHEL SWEET TUCHEL ZINNO CO

## TABLE OF CONTENTS

### TUCHEL-SWEEP

#### ROAD SWEEPERS

4	SIMPLEX	Ø 400 mm
6	KOMPAKT	Ø 520 mm
8	ECO Pro	Ø 520 mm
10	PLUS 590 Pro	Ø 590 mm
12	PROFI 660	Ø 660 mm
14	PROFI-CHAMP	Ø 750 mm
16	PROFI-GIGANT 920	Ø 920 mm
18	BIG	Ø 600 mm
20	BAGGER KM	Ø 750/520 mm
22	IDEAL 650	Ø 650 mm
24	SOLO	
26	WB 750 & HYDRO DRIVE	

### TUCHEL-SNOW

#### SNOW BLADES

28	L-SK	I 50 cm
30	SK-F	I 70 cm
32	L-SF	I 82 cm
34	SF	I 103 cm
36	VARIO	I s. Katalog

### TUCHEL-TRAC

#### VEHICLES

38	TUCHEL-TRAC TRIO
39	TUCHEL-TRAC TRIO ATTACHMENTS
40	TUCHEL-TRAC FarmXpert
42	TUCHEL-TRAC MINI 3
44	TUCHEL-TOOL BEDDING MACHINE

### WE ARE TUCHEL

46	SPECIAL MACHINES
48	TEAM TUCHEL

1991

Formation



**INNOVATIVE SOLUTIONS**  
we find in practice on site.

65

Employees



**LONG-LIFE PRODUCTS**  
are the best advertising for the Tichel brand.

4,043

Partner



**CUSTOMER SERVICE**  
is not just a department, but Tichel.



DIN EN ISO 9001  
REG.-NR. Q1 0123105

# PRODUCT FINDER

## WHEEL- / TELESCOPIC LOADER

up to 4 t class

ECO Pro | PLUS 590 Pro | BIG | IDEAL 650 | SOLO | WB 750 | L-SK | SK-F | L-SF | VARIO

up to 7 t class

PLUS 590 Pro | PROFI 660 | BIG | IDEAL 650 | SOLO | WB 750 | SK-F | L-SF | VARIO

7 - 12 t class

PROFI 660 | PROFI CHAMP | BIG | SOLO | L-SF | SF | VARIO

from 12 t class

PROFI GIGANT 920 | SF | VARIO

## TRACTORS

Municipal tractors

SIMPLEX up to 30 PS | KOMPAKT from 30 PS | WB 750 | L-SK | SK-F | VARIO

Medium class (front/rear)

ECO Pro | PLUS 590 Pro | SOLO | WB 750 | SK-F | L-SF | VARIO

Medium class from 100 hp (front)

PLUS 590 Pro | PROFI 660 | PROFI CHAMP | PROFI GIGANT 920 | SOLO | WB 750 | L-SF | SF | VARIO

## EXCAVATOR

1-6 t class

Bagger KM 520 | SOLO | WB 750

ab 8 t class

Bagger KM 750

## MUNICIPAL VEHICLES

Front mowers

Simplex | Kompakt | WB | L-SK | SK-F | Vario

Municipal vehicles / Multicar

Kompakt | PLUS 590 Pro | WB | SK-F | L-SF | Vario

Trucks / Unimog vehicles

PROFI | PROFI CHAMP | L-SF | SF | Vario

## FORKLIFT

1.5 t class

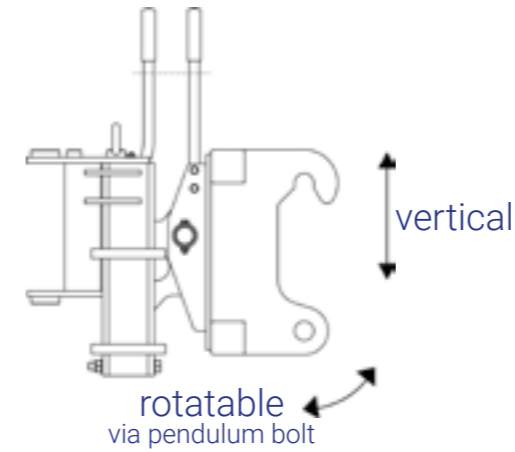
ECO Pro | PLUS 590 Pro | PROFI | IDEAL | SOLO | WB | L-SK | SK-F | Vario

3.5 t class

ECO Pro | PLUS | PROFI | IDEAL | SOLO | WB | SK-F | L-SF | Vario

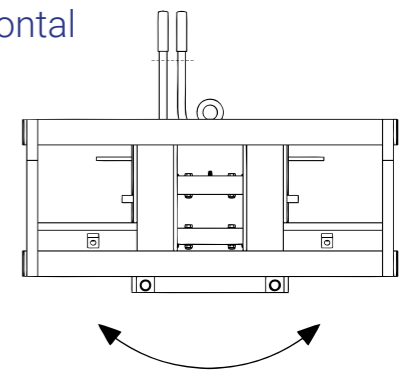
from 3.5 t class

PLUS | PROFI | IDEAL | SOLO | WB | L-SF | Vario



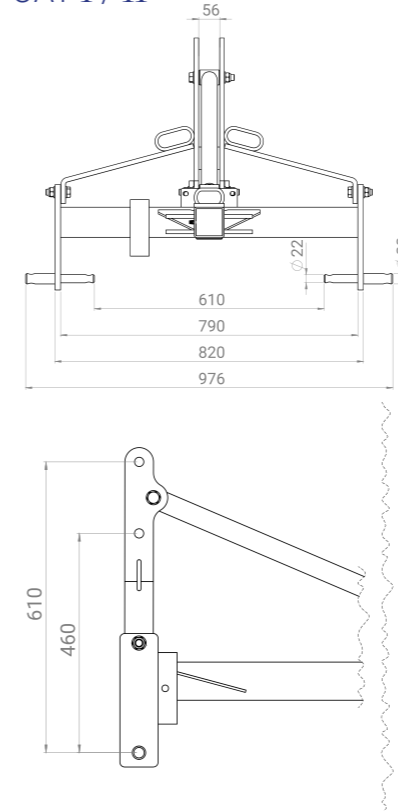
## 3-D LEVELLING

horizontal

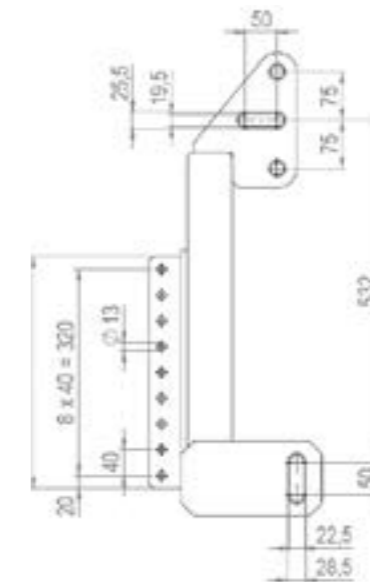


## THREE-POINT LINKAGE

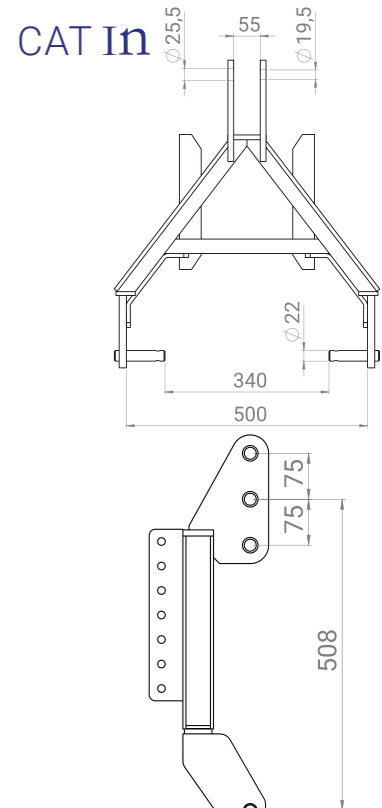
CAT I / II



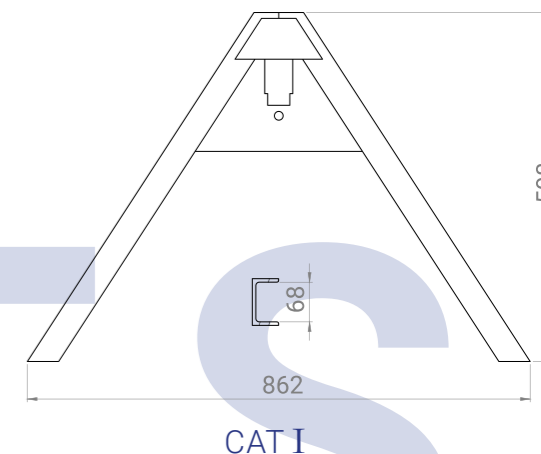
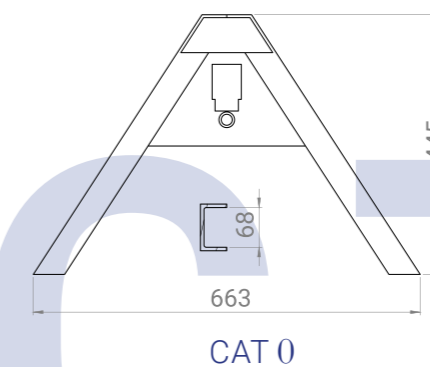
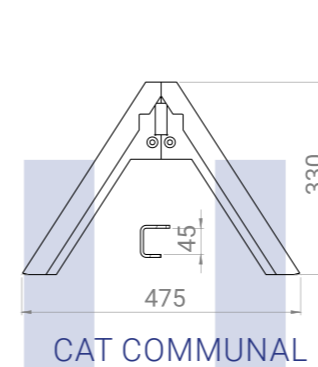
with level and pendulum compensation

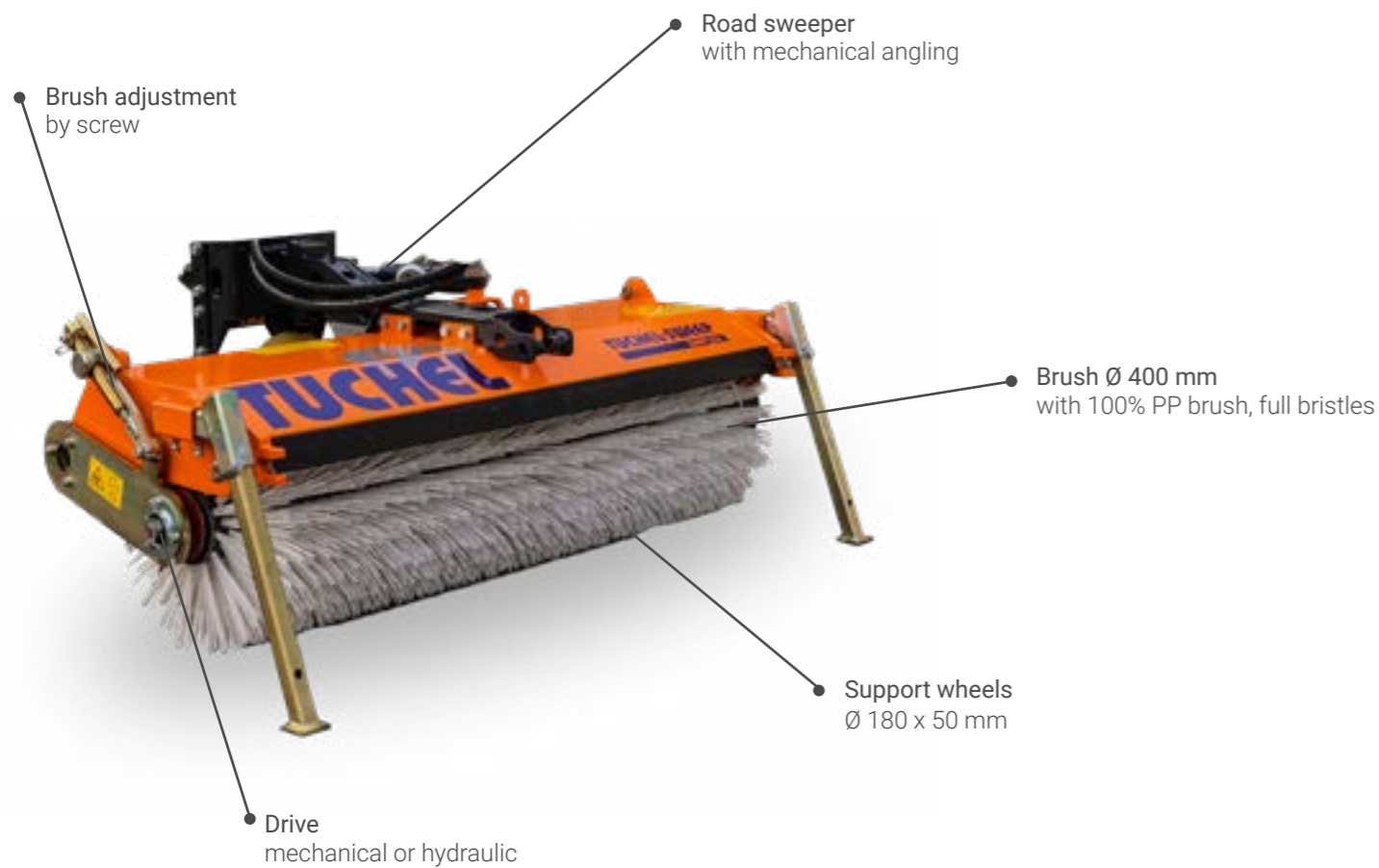


CAT In



## A-FRAME





Due to its low dead weight, the SIMPLEX road sweeper is particularly suitable for front-lift systems with low lifting force such as municipal tractors, front mowers, yard loaders or municipal vehicles up to 30 hp.

The angling is mechanically adjusted as standard. This function is either hydraulically driven by a powerful gerotor motor or mechanically through an PTO shaft. (Angling angle adjustable, PTO shaft included in the scope of delivery.)

The brush made of 100 % PP full bristle with a brush diameter of 400 mm is height-adjusted through a screw and ensures a long service life with even wear. The Tichel Simplex is designed for year-round use, but also enjoys great popularity in winter service.

### INSTALLATION VARIANTS

- » A-frame
- » Three-point linkage
- » Attachment for Tichel-Trac Trio
- » Attachment for front mower
- » Attachment for yard loader or Municipal vehicles

### optional EQUIPMENT VERSIONS

- » Collecting container with integrated 3rd support wheel, Ø 180 x 50 mm, with hydraulic emptying and PU-lip. The free-sweeping mode enables flexible selection between sweeping with or without dirt collecting container. The dirt collecting container does not need to be dismantled. The PU-lip prevents light debris under the dirt collecting container from being swept in front of the vehicle.
- » hydraulic angling
- » Mixed bristle trim brush with 50% PP / 50% wire
- » 100 % PP snow brush (winter service)
- » hydraulically driven side brush Ø 500 mm for sweeping close to the edge (with water spray unit, if required)
- » Water-spray unit for dust binding including water pump with or without 100 l water tank
- » Limiting lights (LED) acc. to StVZO (road traffic licensing authority) when driving in road traffic
- » Signal flag holder und signal flags
- » Special paint according to RAL (standard RAL 2004)



### TECHNICAL DATA

	120 cm	135 cm	150 cm
Working width (straight/angled) [cm]	120/113	135/127	150/141
Total width [cm]	138	153	168
Weight free-sweeping (A-frame) [kg]	118	123	129
↳ including collecting container [kg]	152	160	168
Volume collecting container [l]	75	85	95
required oil flow rate (at 140 bar) [l]	20	20	20
Angling	+/- 12°	+/- 12°	+/- 12°

# SIMPLEX





The KOMPAKT road sweeper was specially developed for small tractors, municipal vehicles and yard loaders from 30 hp.

The angling is mechanically adjusted as standard. This function is either hydraulically driven by a powerful gerotor motor or mechanically through an PTO shaft. (Gearbox angle adjustable, PTO shaft included in the scope of delivery.)

The 100% PP-Beeline honeycomb-shape brush bristles with a brush diameter of 520 mm are adjusted through the proven TUCHEL notch lever system and guarantees a long service life with even wear. The Tichel Kompakt is designed for year-round use, but also enjoys great popularity in winter service.

### INSTALLATION VARIANTS

- » A-frame
- » Three-point linkage
- » Attachment for Tichel-Trac Trio
- » Attachment for front mower
- » Attachment for yard loader or Municipal vehicles

### optional EQUIPMENT VERSIONS

- » **Collecting container** with integrated 3rd support wheel, Ø 200 x 50 mm, with hydraulic emptying and PU-lip. The free-sweeping mode enables flexible selection between dirt picking up and free-sweeping application. The dirt collecting container does not need to be dismantled. The PU-lip prevents light debris under the collecting container from being swept in front of the vehicle.
- » **High-fill flap** in the collecting container, providing for approx. 30 % more filling volume
- » **100 % PP snow brush** (winter service)
- » **height-adjustable 3rd support wheel** for free-sweeping vehicles
- » **hydraulic angling**
- » **hydraulically driven side brush** Ø 600 mm for edge sweeping (with water spray unit, if required)
- » **Water-spray unit** for dust binding including water pump with or without 100 l water tank in the rear and on the machine.
- » **Extra sturdy wheels** Ø 200 x 50 mm, steel welded, for heavy duty
- » **Limiting lights (LED)** acc. to StVZO (road traffic licensing authority) when driving in road traffic
- » **Signal flag holder und signal flags**
- » **Special paint** according to RAL (standard RAL 2004)



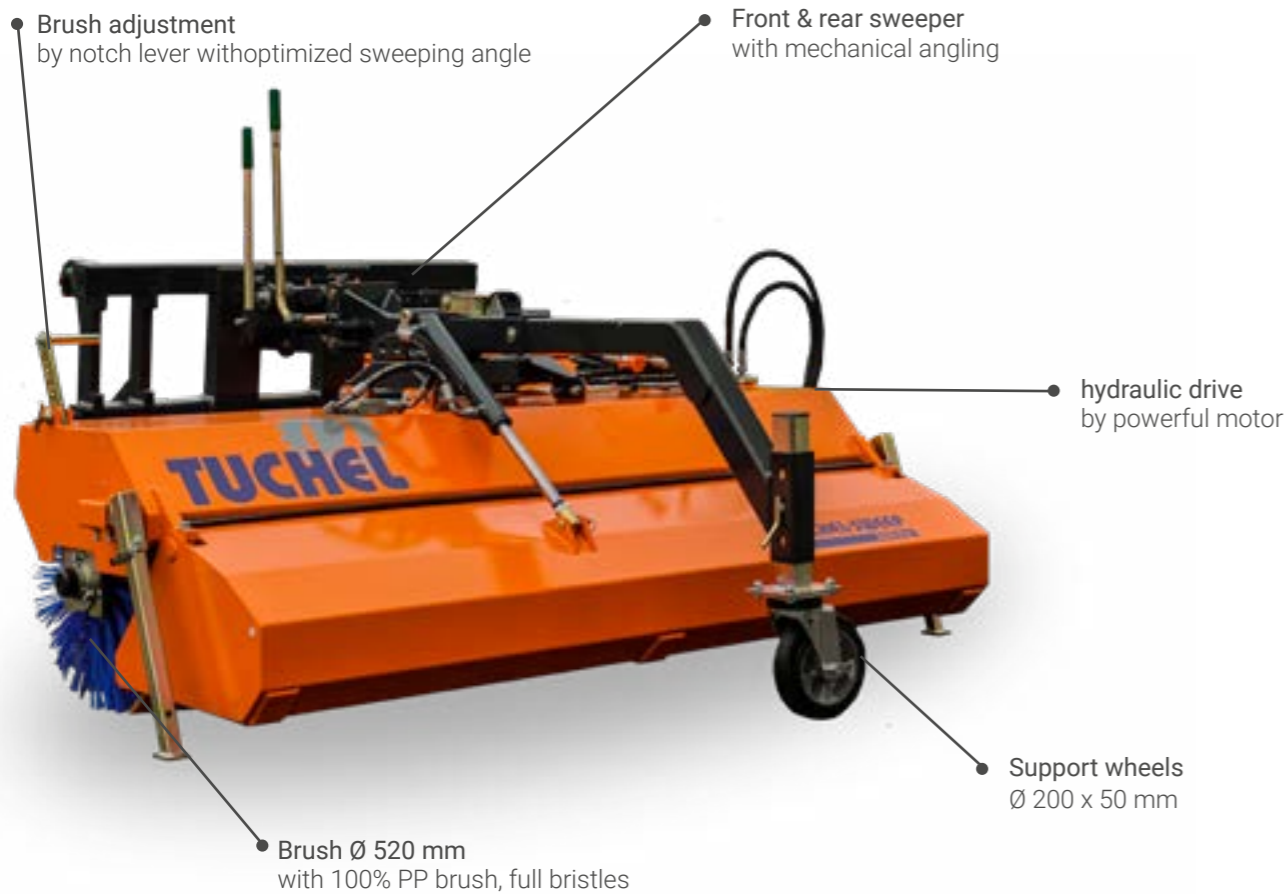
### TECHNICAL DATA

	135 cm	150 cm	175 cm	200 cm
Working width (straight/angled) [cm]	135/127	150/141	175/165	200/188
Total width [cm]	157	172	197	222
Weight free-sweeping (A-frame) [kg]	185	193	205	218
↳ including collecting container [kg]	240	251	269	287
Volume collecting container [l]	145	161	187	213
required oil flow rate (at 160 bar) [l]	25	25	30	30



# TUCHEL-SWEEP

ECO Pro



The front and rear sweeping vehicle ECO Pro can be mounted on tractors, yard loaders and small forklifts due to its various working widths,

The angling is mechanically adjusted as standard. The hydraulic drive is provided by a powerful gerotor motor.

The brush made of 100 % PP full-body bristles and sweeping wedge optimisation, equipped with a brush of diameter 520 mm, is height-adjusted through a vertical notch system and ensures a long service life with even wear.

## INSTALLATION VARIANTS

- » A-frame
- » Three-point linkage
- » Fork-tines attachment
- » Yard loader attachment
- » Municipal vehicle-type attachment

## optional EQUIPMENT VERSIONS

- » Collecting container, with hydraulic emptying and PU-lip. The free-sweeping mode enables flexible selection between sweeping with or without dirt collecting container. The collecting container does not need to be dismantled. The PU-lip prevents light debris under the collecting container from being swept in front of the vehicle.
- » 3. Support wheel Ø 200 X 50 mm with front attachment only
- » Brush with 50% flat steel wire / 50% PP
- » 100 % PP snow brush (winter service)
- » 100 % PP brush rings in honeycomb shape, especially dense full-body brush, long service life, particularly suitable for coarse dirt
- » Side levelling for lateral compensation
- » hydraulic angling
- » hydraulically driven side brush Ø 600 mm for sweeping close to the edge (with water spray unit, if required)
- » Water-spray system for dust binding including water pump with or without water tank (100 l or 200 l)
- » Extra sturdy wheels Ø 200 x 50 mm, steel welded, for heavy duty
- » Special paint according to RAL (standard RAL 2004)



## TECHNICAL DATA

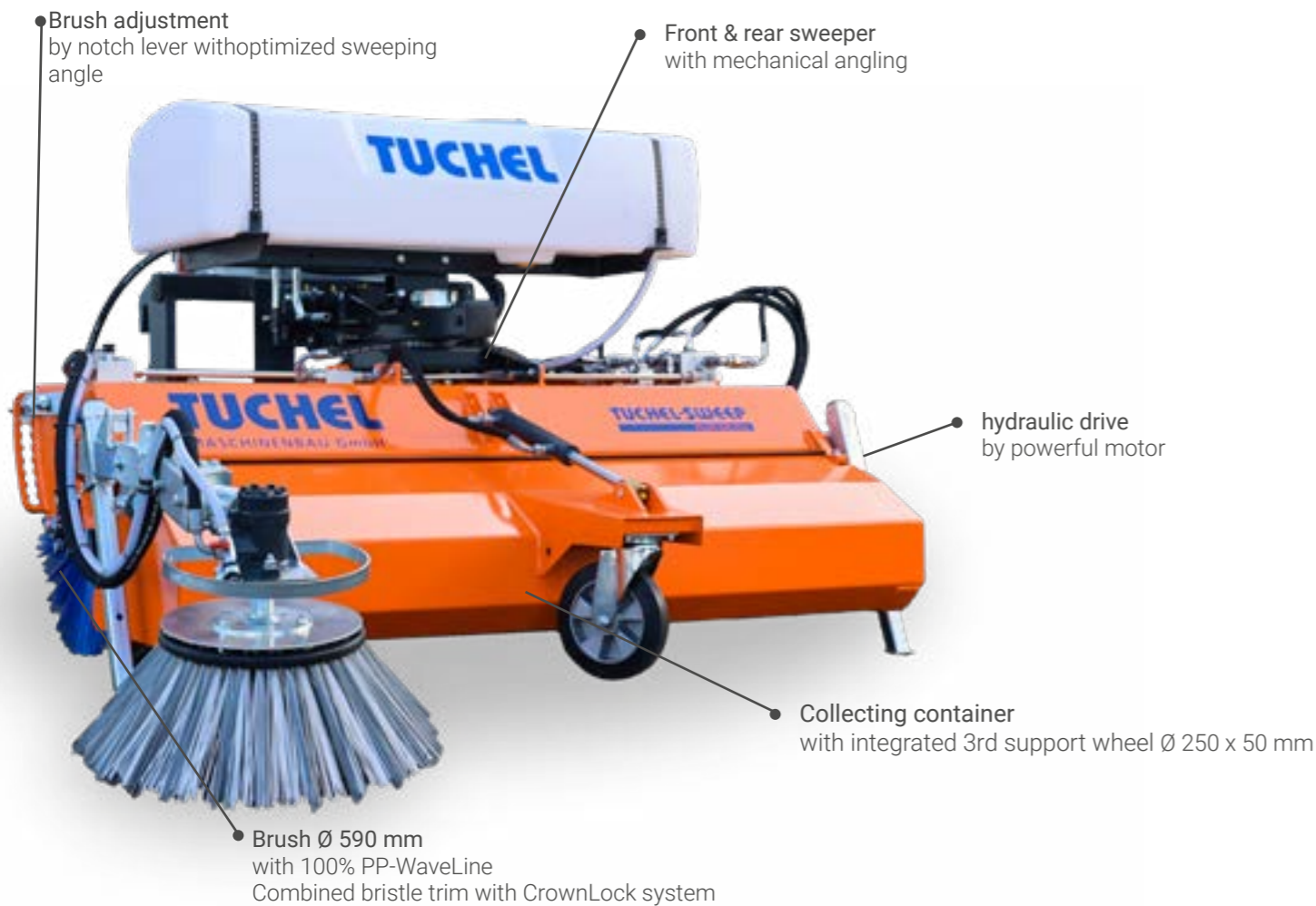
	135 cm	150 cm	180 cm	230 cm
Working width (straight/angled) [cm]	135/127	150/141	180/169	230/211
Total width [cm]	170	185	215	260
Weight free-sweeping (Three-point linkage) [kg]	178	183	198	216
↳ including collecting container [kg]	232	241	261	288
Volume collecting container [l]	122	135	161	201
required oil flow rate (at 160 bar) [l]	25 - 30	25 - 30	25 - 30	30 - 40



# ECO

# TUCHEL-SWEEP

## PLUS 590 Pro



The Plus 590 Pro front and rear sweeper is a true all-rounder and suitable for almost any carrier vehicle.

The angling is mechanically adjusted as standard. The hydraulic drive is provided by a powerful gerotor motor. The integrated brush overrun monitoring protects the high-quality hydraulic components.

The brush rings have a diameter of 590 mm. The 100 % PP WaveLine combined bristle trim including CrownLock system with sweep wedge optimisation is height-adjusted through the proven TUCHEL notch lever system and guarantees a long service life with even wear.

### INSTALLATION VARIANTS

- » A-frame
- » Three-point linkage
- » Fork-tines attachment
- » Yard loader attachment
- » Wheel loader and telescopic loader attachment
- » Municipal vehicle-type attachment
- » Attachment plate fitting to Unimog vehicles DIN 76060

### optional EQUIPMENT VERSIONS

- » Collecting container, with integrated 3rd support wheel, hydraulic emptying and PU-lip. The free-sweeping mode enables flexible selection between sweeping with or without dirt collecting container. The dirt collecting container does not need to be dismantled. The PU-lip prevents light debris under the collecting container from being swept in front of the vehicle.
- » High-filling flap in the dirt collecting container, provides for approx. 30 % more Filling volume
- » 3. Support wheel Ø 250 X 50 mm for free-sweeping carrier-vehicle
- » Inside-mounted, protected gerotor motor
- » 100 % PP brush rings in honeycomb shape, especially dense full-body brush, long service life, particularly suitable for coarse dirt
- » 100 % snowline brush rings in honeycomb shape (winter service)
- » hydraulic angling
- » Side levelling for lateral compensation
- » hydraulically driven side brush Ø 600 mm for sweeping close to the edge (with water-spraying unit, if required)
- » Water-spray system for dust binding including water pump with or without water tank (100 l or 200 l)
- » Flow control valve for infinitely variable speed control with pressure relief valve (from 160 bar)
- » Extra sturdy wheels Ø 250 x 80 mm, steel welded, for heavy duty (recommended from 260 cm)
- » Brush comb to remove light debris from the brush (pin length 3.5 cm)
- » Special paint according to RAL (standard RAL 2004)



### TECHNICAL DATA

	135 cm	150 cm	180 cm	200 cm	230 cm	260 cm
Working width (straight/angled) [cm]	135/127	150/141	180/169	200/188	230/216	260/244
Total width (inside/outside mounted motor) [cm]	168/156	183/171	213/201	233/221	263/251	293/281
Weight free-sweeping (with quick-change unit)[kg]	380	392	403	415	440	462
↳ including collecting container [kg]	460	472	498	520	552	580
Volume collecting container [l]	166	184	220	244	280	315
required oil flow rate (at 160 bar) [l]	30	30	40	40	40	50

# PLUS 590 PRO





The front road sweeper PROFI 660 is developed for wheel loaders, tractors, trucks, Unimog vehicles and forklifts from 3.5t. Due to its robust machine frame and high-quality hydraulic components, the Profi 660 is ideally suited for heavy-duty application,

The angling is mechanically adjusted as standard. The hydraulic drive is provided by a powerful internal gerotor motor. The integrated brush overrun monitoring protects the high-quality hydraulic components.

Ø660 mm brush rings. The 100 % PP WaveLine combined bristle trim including CrownLock system with sweep wedge optimisation is height-adjusted through the proven TUCHEL notch lever system and guarantees a long service life with even wear. Optimum ground guidance is ensured by the specially developed 3D levelling system.

### INSTALLATION VARIANTS

- » A-frame
- » Three-point linkage
- » Fork-tines attachment
- » Wheel loader and telescopic loader attachment
- » Attachment plate fitting to Unimog vehicles DIN 76060

### optional EQUIPMENT VERSIONS

- » Collecting container with integrated 3rd support wheel, with hydraulic emptying, PU-lip and high-filling flap. The free-sweeping mode enables flexible selection between sweeping with or without dirt collecting container. The dirt collecting container does not need to be dismantled. The PU-lip prevents light debris under the collecting container from being swept in front of the vehicle. The high-filling flap in the dirt collecting container provides for approx. 30 % more filling volume.
- » 100 % PP brush rings in honeycomb shape, especially dense full-body brush, long service life, particularly suitable for coarse dirt
- » 100% snowline brush rings in honeycomb shape (winter service)
- » 3rd support wheel for free-sweeping carrier-vehicle
- » hydraulic angling
- » hydraulically driven side brush Ø 600 mm for sweeping close to the edge (with water spray unit, if required)
- » Side brush hydraulic opening
- » Water-spray unit for dust binding including water pump with or without 200 l water tank
- » Flow control valve for infinitely variable speed control with pressure relief valve (from 160 bar)
- » CSE tyres Ø 306 x 116 mm
- » Brush comb to remove light debris from the brush (pin length 3.5 cm)
- » Straight scraper with hydraulic operation
- » Limiting lights (LED) acc. to StVZO (road traffic licensing authority) when driving in road traffic
- » Signal flag holder und signal flags
- » Special paint according to RAL (standard RAL 2004)



### TECHNICAL DATA

	200 cm	230 cm	260 cm	280 cm
Working width (straight/angled) [cm]	200/188	230/216	260/244	280/259
Total width [cm]	223	253	283	299
Weight free-sweeping (with quick-change unit) [kg]	475	498	521	534
↳ including collecting container [kg]	609	643	677	695
Volume collecting container [l]	315	361	407	431
required oil flow rate (at 160 bar) [l]	40	40	50	50



# PROFI

# 660





The front road sweeper PROFI CHAMP is designed for wheel loaders, tractors, trucks, Unimog vehicles and forklifts from 7 t. Due to its robust machine frame, high-quality hydraulic components and the especially large wheels, the sweeper is ideally suited for heavy-duty applications.

The mechanical angling is driven by an inside-mounted hydraulic motor. The 100 % PP WaveLine combined bristle trim brush rings including CrownLock system of brush diameter of 750 mm are height-adjusted through the proven TUCHEL notch lever system and guarantee a long service life with even wear.

In addition, the integrated brush overrun monitoring protects the high-quality hydraulic components, whilst the especially developed 3D-levelling provides for optimum ground guidance.

### INSTALLATION VARIANTS

- » A-frame
- » Three-point linkage
- » Fork-tines attachment
- » Wheel loader and telescopic loader attachment
- » Attachment plate fitting to Unimog vehicles DIN 76060

### optional EQUIPMENT VERSIONS

- » **Collecting container** with hydraulic emptying and PU bar. The free sweeping mode allows flexible dirt-collecting and free-sweeping operation. No disassembly of the dirt collection container is necessary. The PU bar prevents light debris from being swept under the dirt collection container from being swept in front of the machine. The **high-fill flap** in the dirt collection tank provides approx. 30 % more filling volume.
- » For **winter service** we recommend a **100% PP snow brush** and optionally an extra long **splash guard**.
- » **hydraulic angling**
- » **Side brush** Ø 750 mm for sweeping close to the edge
- » **Side brush hydraulic opening**
- » **Water-spraying unit** with water pump with and without 200 l oder 400 l water tank
- » **Flow control valve** for infinitely variable speed control with pressure relief valve (from 160 bar)
- » **Extra sturdy wheels** Ø 410 x 145 mm, steel welded, for heavy duty
- » **Brush comb** to remove light debris from the brush (pin length 3.5 cm)
- » **Straight scraper** with hydraulic operation
- » **Limiting lights (LED)** acc. to StVZO (road traffic licensing authority) when driving in road traffic
- » **Signal flag holder und signal flags**
- » **Special paint** according to RAL (standard RAL 2004)



### TECHNICAL DATA

	210 cm	240 cm	280 cm
Working width (straight/angled) [cm]	210/197	240/226	280/256
Total width [cm]	236	266	299
Weight free-sweeping (with quick-change unit) [kg]	724	796	836
↳ including collecting container [kg]	932	1.019	1.074
Volume collecting container [l]	473	537	608
required oil flow rate (at 160 bar) [l]	56	56	56



# CHAMP

# UNIMOG

# TUCHEL-SWEEP

## PROFI GIGANT 920



The PROFI GIGANT 920 front sweeper was designed for heavy-duty use on large areas to be mounted on the front of tractors or wheel loaders from 12 t. Due to its robust machine frame, high-quality hydraulic components and the especially large wheels, the sweeper is ideally suited for heavy-duty applications.

The mechanical angling is driven by two inside-mounted powerful hydraulic motors. The 100 % PP brush rings in honey comb shape of brush diameter of 920 mm are height-adjusted through the proven TUCHEL notch lever system to ensure even wear.

In addition, the integrated brush overrun monitoring protects the high-quality hydraulic components, whilst the especially developed 3D-levelling provides for optimum ground guidance.

### INSTALLATION VARIANTS

- » Three-point linkage
- » Wheel loader and telescopic loader attachment

### optional EQUIPMENT VERSIONS

- » Collecting container with hydraulic emptying (PU-lip, including 3rd support wheel & sweeping wedge optimisation) which prevents small parts from being ejected, enables free-sweeping and guarantees an uniform distance between brushes and container. The high-filling flap in the dirt collection container enables 30 % more filling volume.
- » hydraulic angling
- » 3rd and 4th height-adjustable support wheels for free-sweeping vehicles
- » hydraulically driven side brush with hydraulic lift for sweeping close to the edge (with water spray unit, if required)
- » Water-spray unit for dust binding including water pump with or without 400 l water tank
- » Limiting lights (LED) acc. to StVZO (road traffic licensing authority) when driving in road traffic
- » Signal flag holder und signal flags
- » Special paint according to RAL (standard RAL 2004)

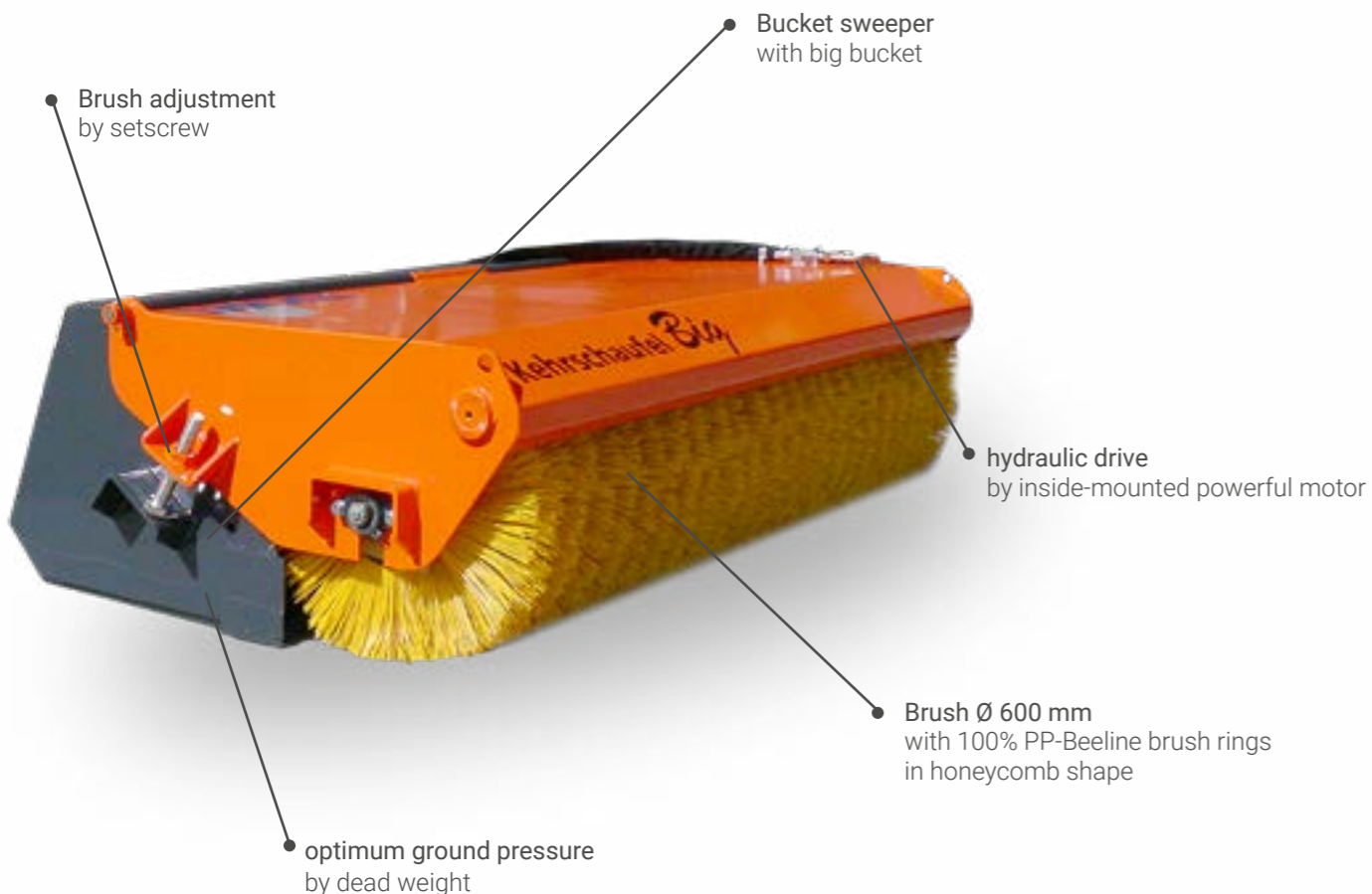


### TECHNICAL DATA

	260 cm	290 cm	320 cm	350 cm
Working width (straight/angled) [cm]	260/237	290/265	320/292	350/320
Total width [cm]	294	324	354	384
Weight free-sweeping (with quick-change unit) [kg]	1.564	1.623	1.684	1.745
↳ including collecting container [kg]	2.160	2.247	2.335	2.423
Volume collecting container [l]	1.020	1.130	1.250	1.370
required oil flow rate (at 160 bar) [l]	100	100	100	100



# G I G A N T



The bucket sweeper is specially designed for your compact / or wheel loader and is equipped with a quick hitch as standard, driven by a powerful hydraulic motor with overpressure relief valve, which is integrated in the roller shaft as standard and thus protected against damage.

The 100 % PP Beeline brush rings in honey comb shape of brush diameter 600 mm can easily be readjusted when worn. Unlike all other TUCHEL series, the brush of this vehicle is attached on front of the extra large bucket-like container, to ensure optimum weight distribution when you work with your compact loader. In addition, there is a scraping edge on the bucket that enables even solidified debris to be broken off.

### INSTALLATION VARIANTS

- » Compact / wheel loader attachment

### optional EQUIPMENT VERSIONS

- » For continuous use, we recommend a **reinforcement package** which includes wear edges made of armoured knob steel as well as bottom and lateral bolt-on blades to be simply turned over to double the service life.
- » **hydraulically driven side brush** for sweeping close to the edge (with water spray unit, if required)
- » **Water-spray unit** for dust binding including water pump with or without water tank (100 l or 200 l)
- » **hydraulic cap lifting mechanism**
- » **electro-magnetic commutator (EM) 12/24 V**
- » **Special paint** according to RAL (standard RAL 2004)



### TECHNICAL DATA

	120 cm	150 cm	180 cm	210 cm
Working width (straight) [cm]	120	150	180	210
Total width [cm]	147	177	207	237
Weight (with quick-change unit Bobcat) [kg]	373	425	478	528
↳ including reinforcement package [kg]	411	472	532	589
Volume collecting container [l]	300	375	450	525
required oil flow rate (at 160 bar) [l]	25	40	40	50

# B I G





The IDEAL 650 front sweeper is specially designed for use in industry and on construction sites. The sweeper is driven by an inside-mounted powerful hydraulic motor with twin pressure relieving valve.

The brush made of 100 % PP mixed bristles trim can be ideally used indoor as well as outdoor. Here, in particular, the bristles are V-shaped to sweep up both solidified dirt and fine dust. The oscillating suspended brush adapts optimally to the ground and provides good dust encapsulation. This sweeper is ideally suited for cleaning halls and buildings.

In addition, the sweeper is equipped with an integrated hydraulically dischargeable collecting tank with high-filling flap and a dust cover.

### INSTALLATION VARIANTS

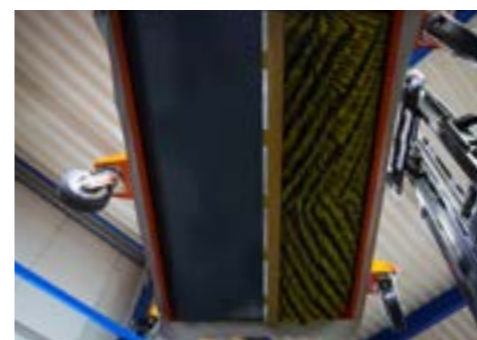
» Fork-tines attachment

**COMBI ATTACHMENT** consisting of:

- » Fork-tines attachment & wheel loader attachment
- » Fork-tines attachment & three-point linkage

### optional EQUIPMENT VERSIONS

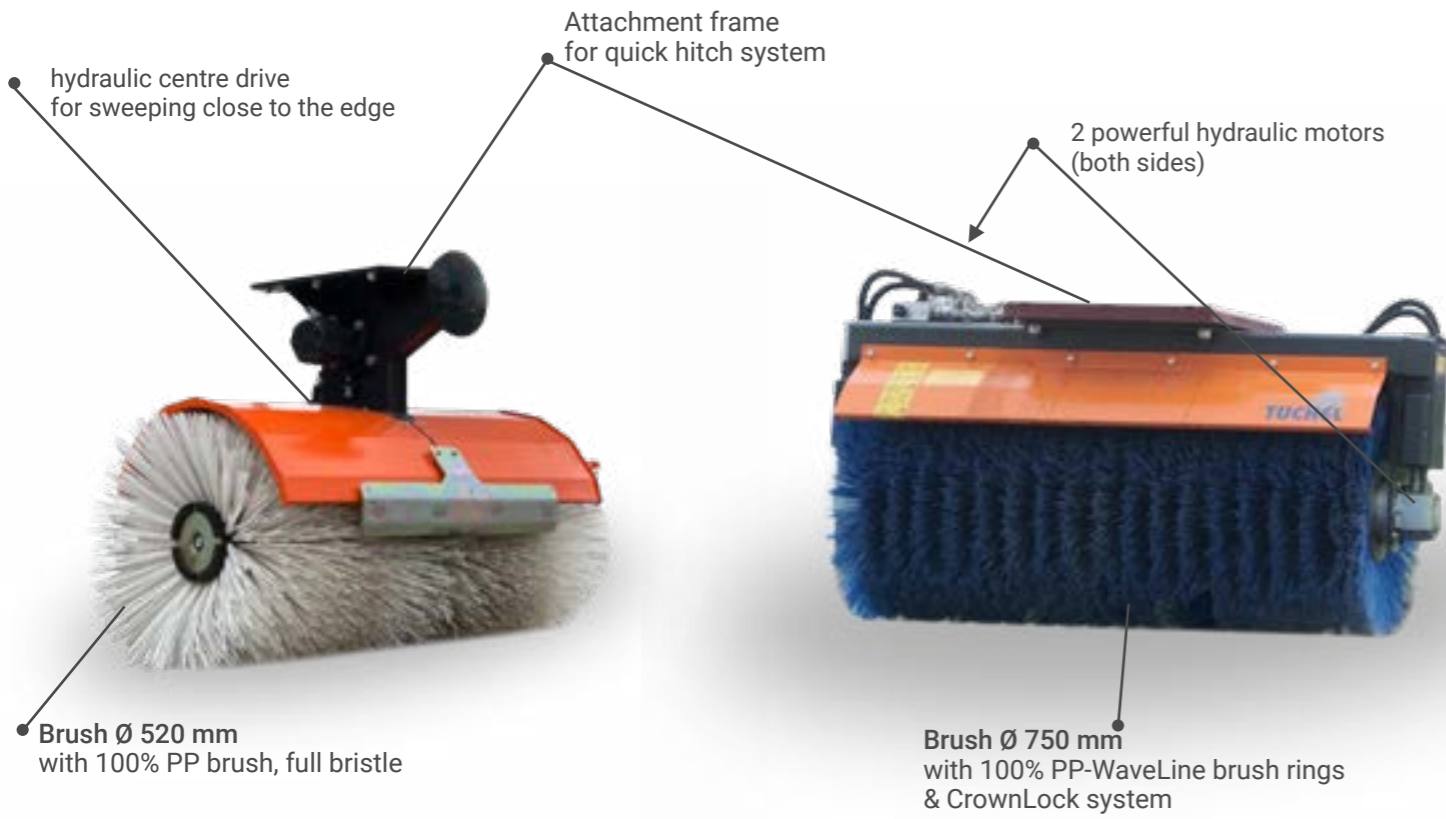
- » hydraulically driven side brush for sweeping close to the edge (with water spray unit, if required)
  - » Water-spray system for dust binding including water pump with or without water tank (100 l or 200 l)
  - » Extra sturdy wheels we recommend for heavy-duty application.
  - » Flow control valve for infinitely variable speed control with pressure relief valve (> 90 l)
  - » Limiting lights (LED) acc. to StVZO (road traffic licensing authority) when driving in road traffic
  - » Signal flag holder und signal flags
  - » Special paint according to RAL (standard RAL 2004)
- » MACHINE-OWN HYDRAULIC SYSTEM with oil tank



### TECHNICAL DATA

	130 cm	150 cm	180 cm	210 cm
Working width (straight) [cm]	130	150	180	210
Total width [cm]	155	175	205	235
Weight including collecting container [kg]	455	497	516	556
Volume collecting container [l]	210	240	290	335
required oil flow rate (at 160 bar) [l]	25	25	25	30





The road sweepers Bagger KM 520 and KM 750 are the ideal complement to your excavator thanks to their robust and compact design. As standard, the road sweepers are equipped with an attachment plate for various attachment systems. Optionally, various adapters/quick hitches can be supplied which make the road sweeper ready for use within a few seconds.

Due to the manoeuvrability of the excavator, the road sweepers can also reach angled areas and vertical surfaces such as walls, ceilings or even roofs. The Bagger KM 520 and KM 750 are the ideal complement for every construction site.

**BAGGER KM 520** 1 - 6t

The Bagger KM 520 is operated as standard via a **centre drive**, with a powerful hydraulic motor. The brush made of 100% PP full body bristle has a brush diameter of 520 mm and is specially designed for sweeping close to the edge.

**BAGGER KM 750** approx. from 8t

The Bagger KM 750 is powered as standard by two powerful internal hydraulic motors. The brush rings have a diameter of 750 mm and a 100% PP trim with CrownLock system.

**BAGGER KM 520**  
1 - 6t



**BAGGER KM 750**  
approx. from 8t



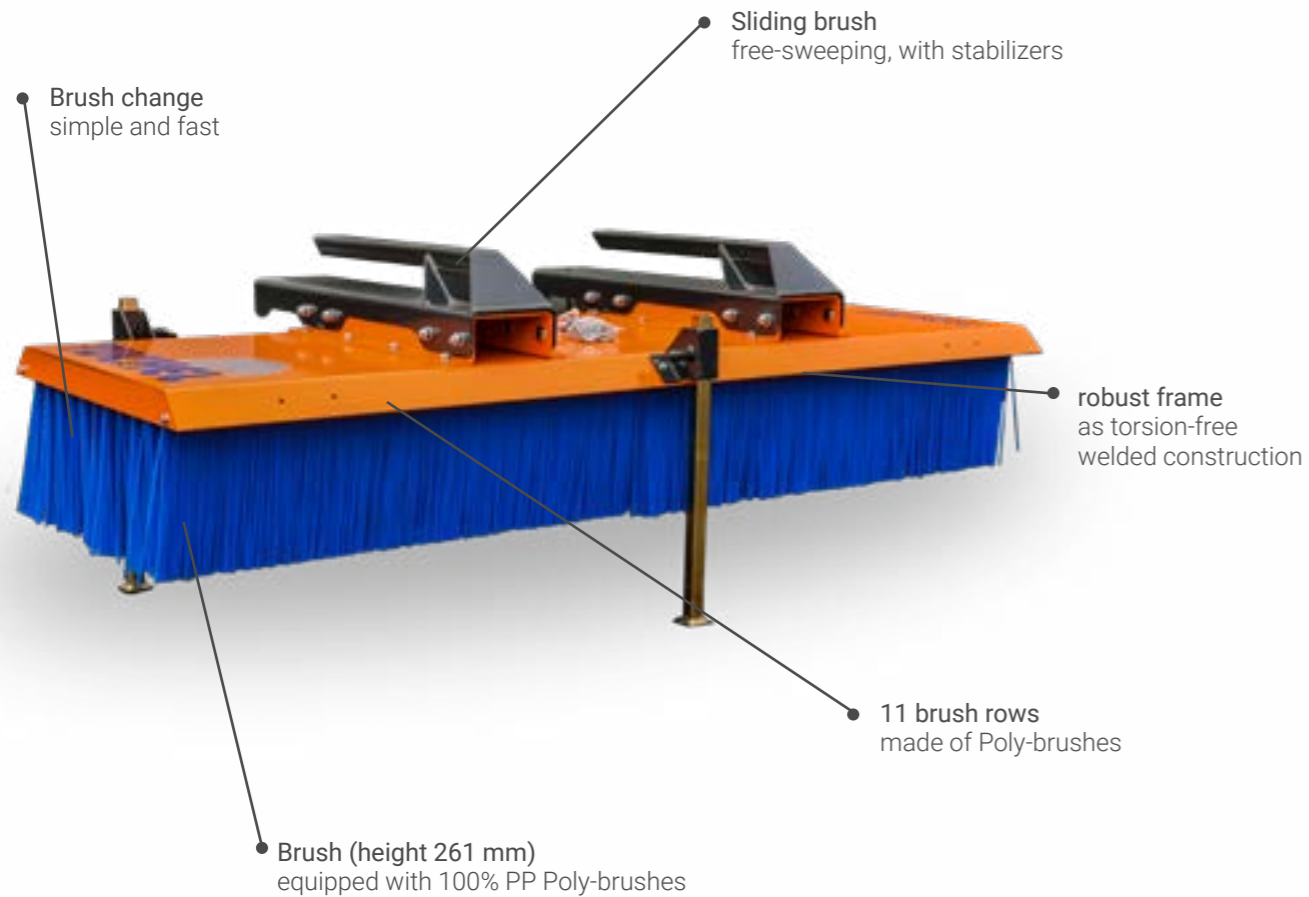
**TECHNICAL DATA**

	BAGGER KM 520 1 - 6t		BAGGER KM 750 approx. from 8t	
	100 cm	120 cm	150 cm	200 cm
Working width (straight) [cm]	105	125	150	200
Total width [cm]	105	125	183	233
Weight (ohne Schnellwechsler) [kg]	92	98	384	465
required oil flow rate (bei 170 bar) [l]	25	25	100	100

BAGGER

LERNA





The free-sweeping SOLO sliding brush with its rigid base frame can be fixed on forklifts, tractors and yard loaders.

The 11 rows of brushes made of 100 % PP full body bristles provide for best sweeping result on the cleaned surfaces. Furthermore, the sweeping brush is equipped with 3 stabilizers to ensure a long service life of the brushes.

The sliding brush can thus clean large areas quickly and sweep heavy bulk materials as well as raw materials on transfer areas and in bulk material boxes leaving the materials correctly sorted.

### INSTALLATION VARIANTS

- » A-frame
- » Three-point linkage
- » Bucket attachment
- » Yard loader attachment
- » Gripping bucket
- » Excavator attachment

### optional EQUIPMENT VERSIONS

- » Side sweeping edge for sweeping close to the edge optionally selective left or right as well as left and right
- » Special paint according to RAL (standard RAL 2004)



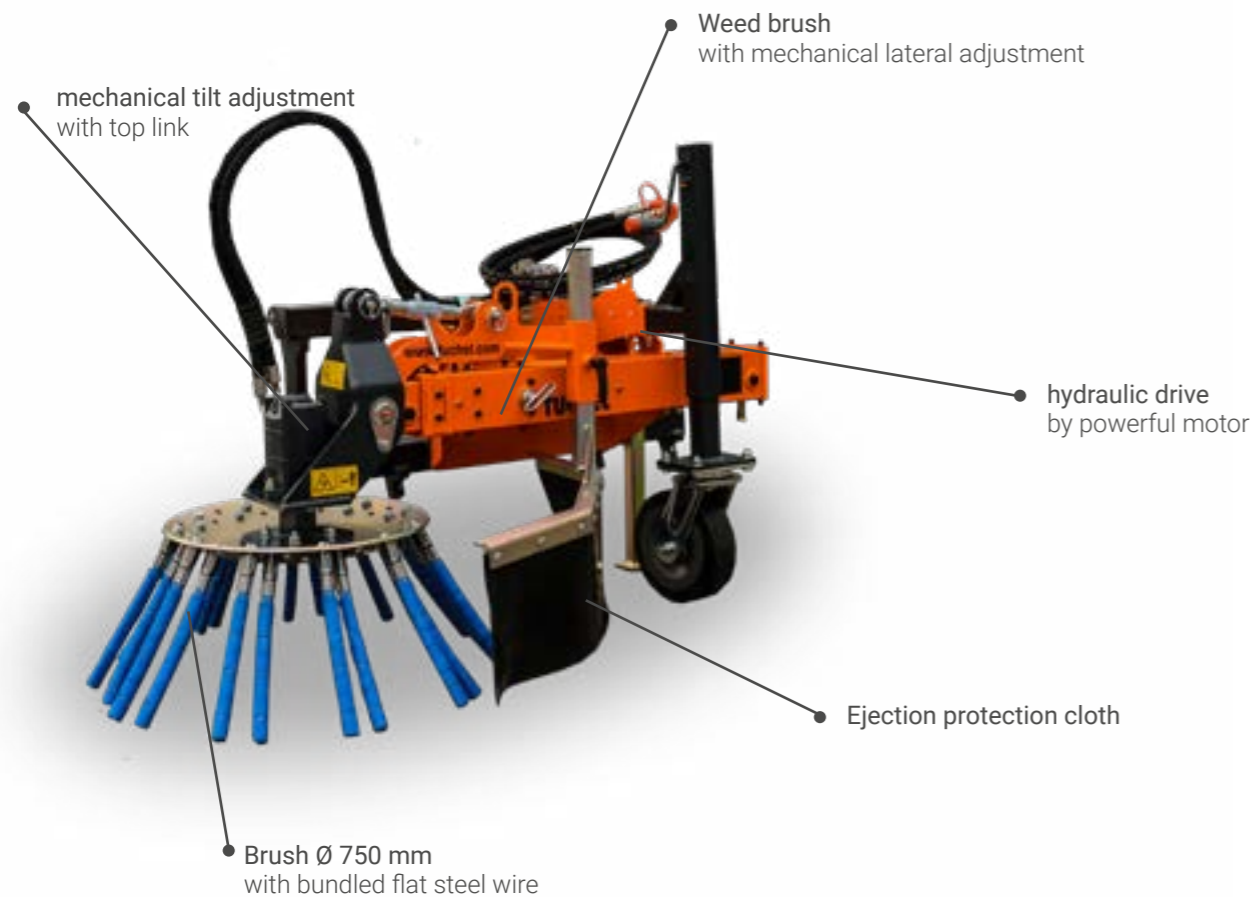
Side sweeping edge for sweeping close

### TECHNICAL DATA

	150 cm	190 cm	230 cm	250 cm	280 cm
Working width (straight) [cm]	150	190	230	250	280
Working depth [cm]	71	71	71	71	71
Brush rows	11	11	11	11	11
Weight [kg]	127	153	180	193	213



# SOLO



The 750 weed brush removes all kinds of weeds effortlessly as well as without use of any chemicals and can be mounted on wheel loaders, tractors, municipal vehicles and excavators.

The mechanical angling also enables removal in the edge area and the mechanical tilt adjustment on the top link provides for the highest possible scraping effect. The 750 mm diameter circular brush is equipped with bundled flat steel wire and hydraulically driven.

To prevent stones and dirt from flying around in uncontrolled manner, an adjustable anti-ejection cloth is part of the basic equipment.

### INSTALLATION VARIANTS

- » A-frame
- » Three-point linkage
- » Fork-tines attachment
- » Wheel loader / telescopic attachment
- » Municipal vehicle-type attachment
- » excavator attachment

### optional EQUIPMENT VERSIONS

- » special brush bristles trim with plastic-coated twisted wire bundle
- » steplessly adjustable guide wheel / support wheel with additional castor roller castor wheel 200 x 50 mm
- » with castor wheel 250 x 80 mm
- » hydraulic angling
- » hydraulic Tilt adjustment
- » Speed control for speed adjustment
- » electro-magnetic commutator 12/24 V (6/2-way or 8/3-way) for vehicles with only one or two double acting hydraulic circuits
- » Special paint according to RAL (standard RAL 2004)
- » HYDRO DRIVE for vehicles with insufficient oil flow rate > Three-point linkage



### TECHNICAL DATA

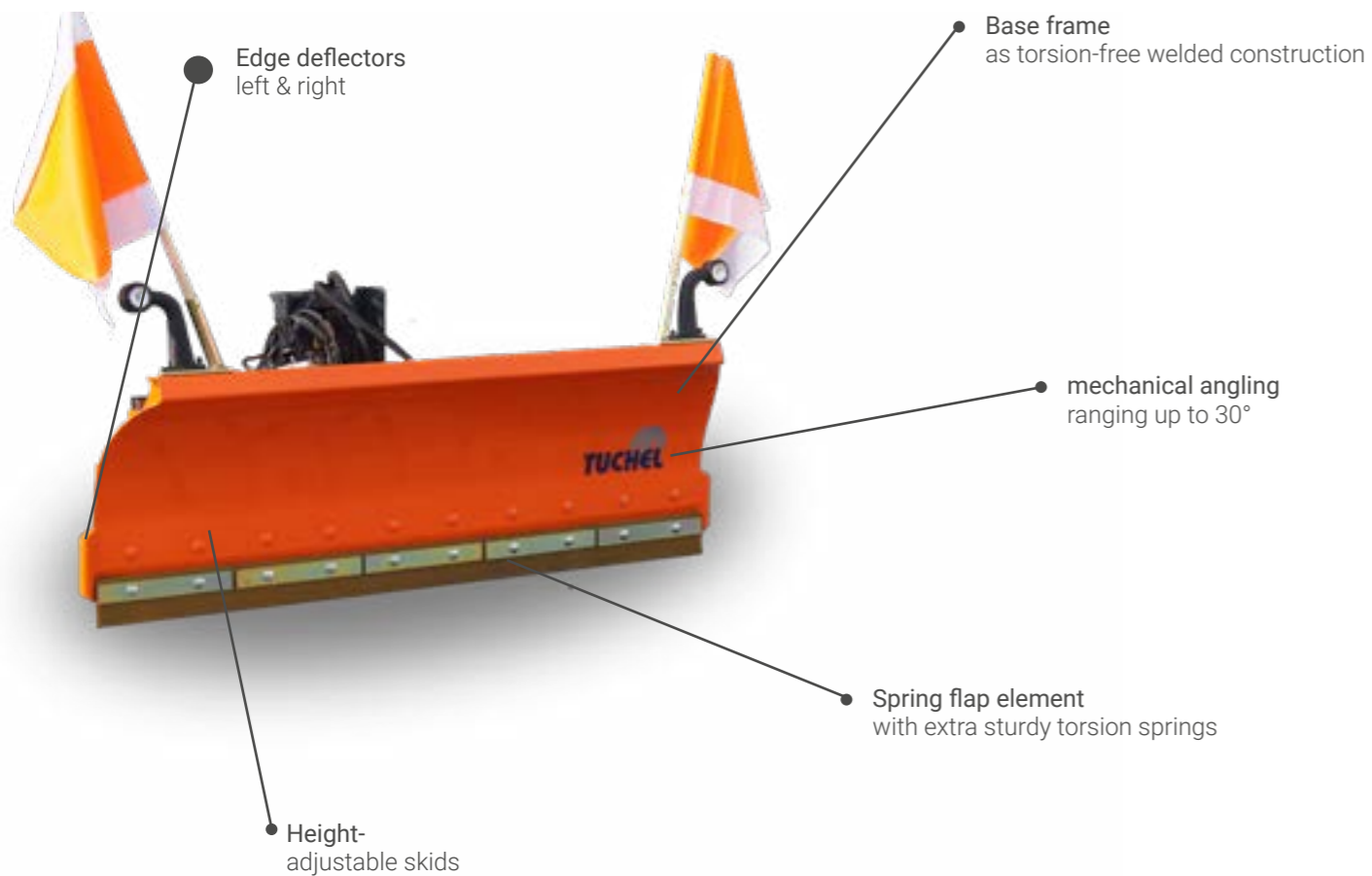
	Ø 750
Circular brush Ø [mm]	750
Total width (max. extension) [cm]	196
Angling	mechanical by 450 mm
Motor	Hydr.-Motor
Weight (basic machine) [kg]	appr. 100
required oil flow rate (at 180 bar) [l]	20



# WB 750

# TUCHEL-SNOW

L-SK



The L-SK snow blade is specially designed to be mounted on small tractors, small yard loaders, forklifts and the Tichel.Trac Trio due to its lightweight construction.

The base frame is equipped with non-icing spring flap segments and a PU-lip. The bevels in the side and upper shield areas ensure a high degree of stability and the mechanical angling enables lateral clearing.

The standard equipment includes height-adjustable skids as well as edge deflectors that protect the blade from damage. The blade has an optimised tilt angle, resulting in clean clearing results and maximum smoothness.

## INSTALLATION VARIANTS

- » A-frame
- » Three-point linkage
- » Attachment for Tichel-Trac Trio
- » Yard loader attachment
- » Fork-tines attachment

## optional EQUIPMENT VERSIONS

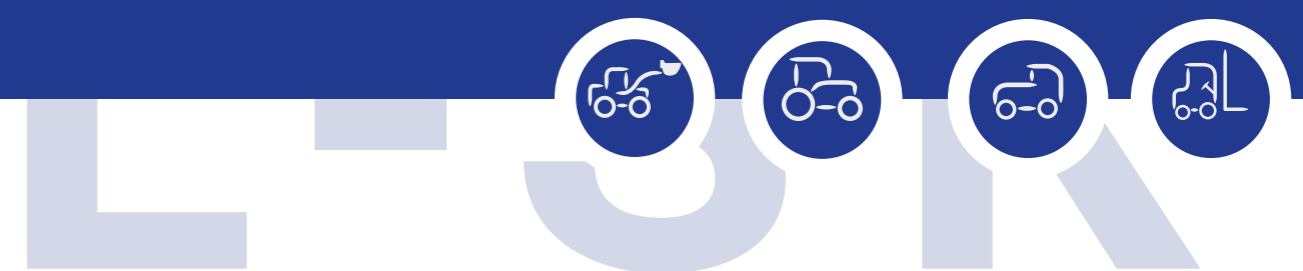
- » Hydraulic angling for easy swivelling
- » Castor rollers Ø 150 x 50 mm instead of skids
- » Limiting lights (LED) acc. to StVZO (road traffic licensing authority) when driving in road traffic
- » Signal flag holder und signal flags
- » Special paint according to RAL (standard RAL 2004)



## TECHNICAL DATA

	125 cm	155 cm	185 cm
Clearing width (straight/angled) [cm]	125/107	155/133	185/160
Total width (max. extension) [cm]	125	155	185
Weight (without attachment) [kg]	84	97	110
Height [cm]	50	50	50
Angled position	up to 30°	up to 30°	up to 30°

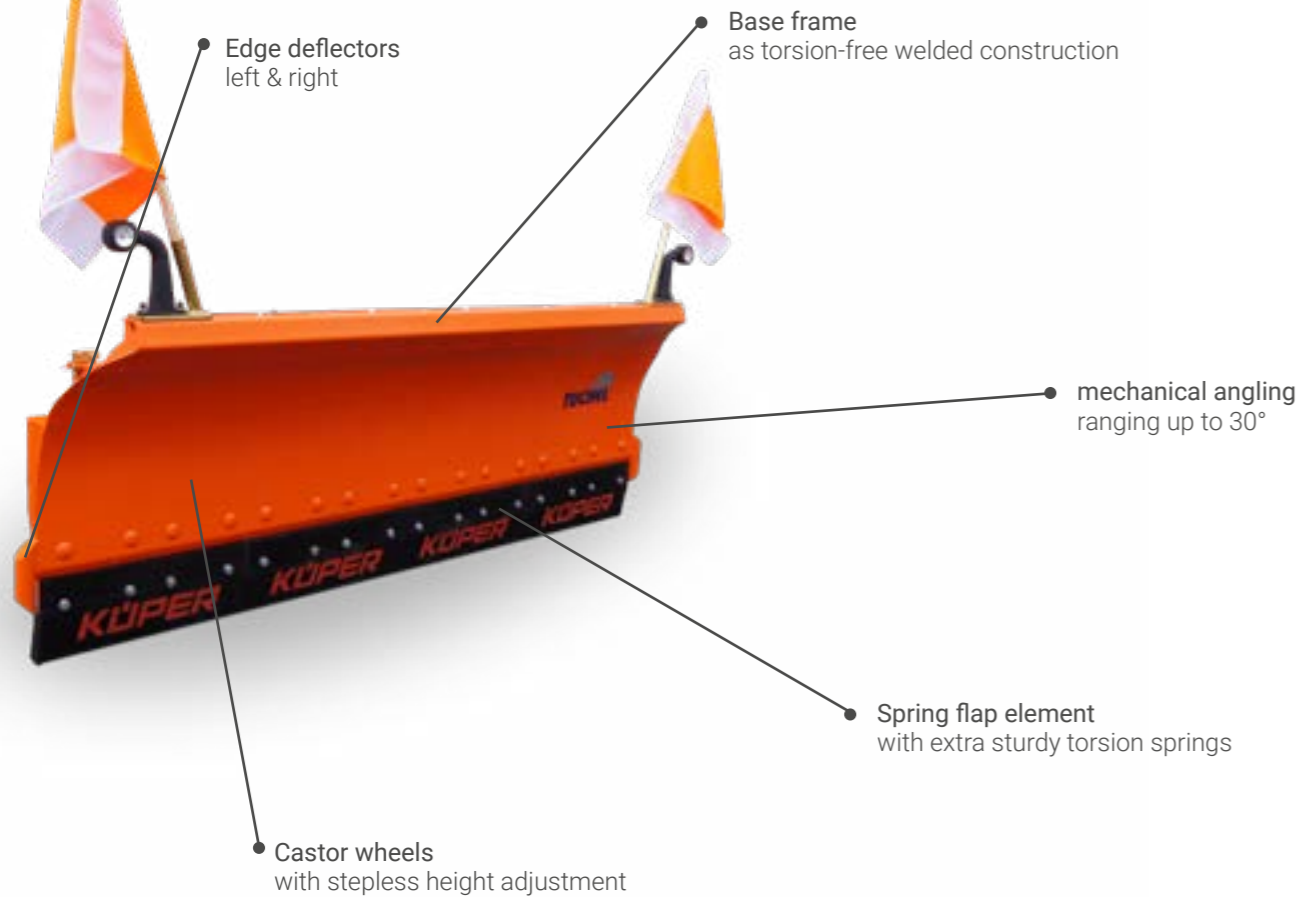
# SNOW





# TUCHEL-SNOW

SK-F



Due to its compact design, the SK-F snow blade is particularly suitable for clearing in municipal areas mounted on the front of small tractors, yard loaders, wheel loaders, forklift trucks and municipal vehicles.

The sturdy base frame is equipped with non-icing spring flap segments and is optionally available with torsion-resistant PU-lip, steel trim or a highly abrasion-resistant municipal scraper bar. The bevels in the side and upper shield areas ensure a high degree of stability and the mechanical angling enables lateral clearing.

In addition, steplessly height-adjustable castors and edge deflectors, which protect the blade from damage, are included in the basic equipment. The blade has an optimised tilt angle, resulting in clean clearing results and maximum smoothness.

## INSTALLATION VARIANTS

- » A-frame
- » Three-point linkage
- » Yard loader attachment / quick hitch
- » Municipal vehicle-type attachment
- » Fork-tines attachment

## optional EQUIPMENT VERSIONS

- » Hydraulic angling for easy swivelling with optional pressure relief valve
- » Side levelling for optimum ground adjustment
- » Extra sturdy wheels Ø 250 x 80 mm for heavy-duty application.
- » Limiting lights (LED) acc. to StVZO (road traffic licensing authority) when driving in road traffic
- » Signal flag holder und signal flags
- » Special paint according to RAL (standard RAL 2004)



## TECHNICAL DATA

	150 cm	180 cm	200 cm	225 cm
Clearing width (straight/angled) [cm]	150/132	175/154	200/176	225/198
Total width (max. extension) [cm]	160	185	210	235
Weight (without attachment) [kg]	165	185	200	215
Height [cm]	70	70	70	70
Angled position	up to 30°	up to 30°	up to 30°	up to 30°

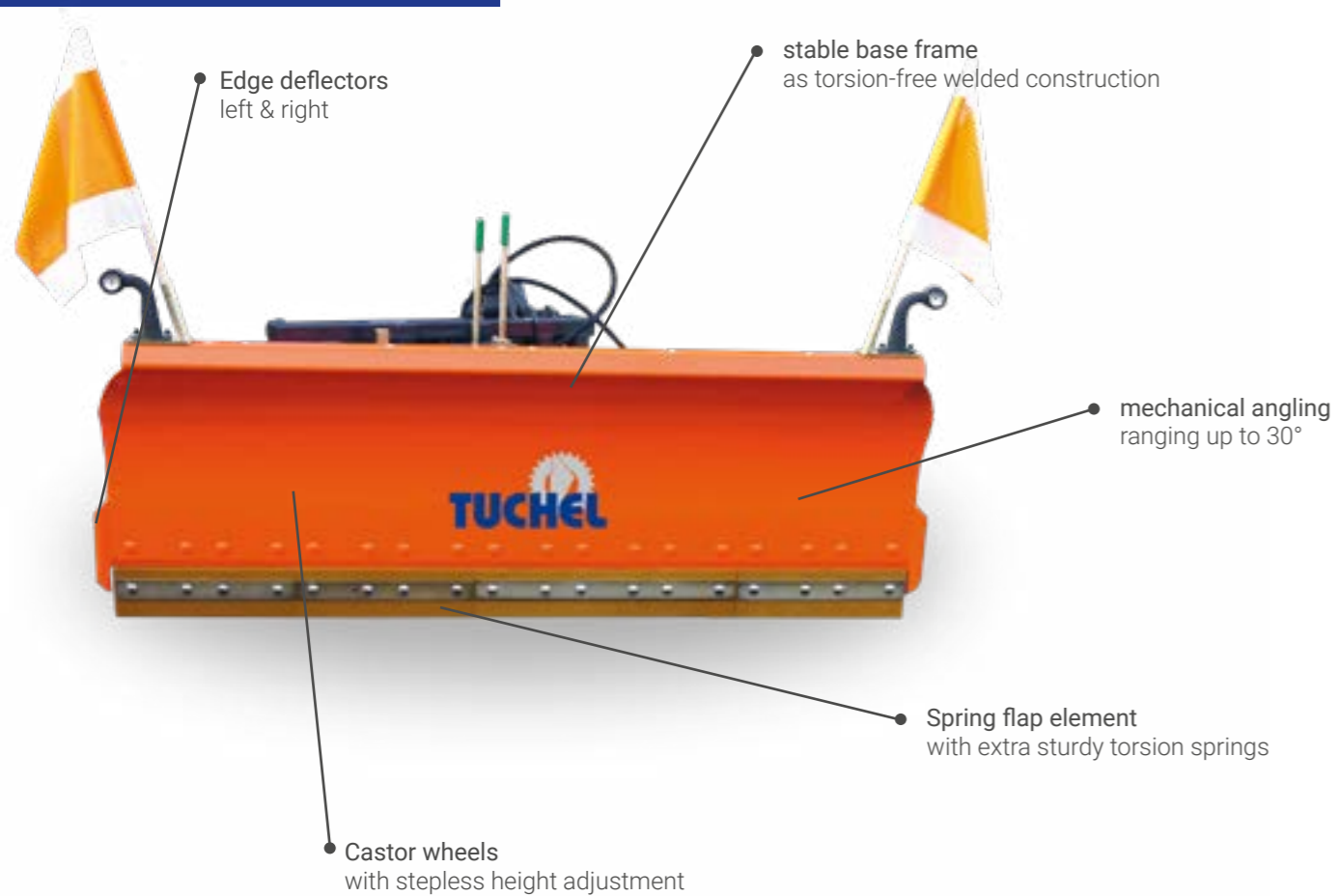


# SNOW

# SK-F

# TUCHEL-SNOW

L-SF



The L-SF lightweight snow blade can effectively clear snow from all surfaces, even in harsh weather conditions, and can be fitted on the front of wheel loaders, tractors and Unimog vehicles.

The sturdy base frame is equipped with non-icing spring flap segments and is optionally available with torsion-resistant PU-lip, steel trim or a highly abrasion-resistant municipal scraper bar. The bevels in the side and upper shield areas ensure a high degree of stability and the mechanical angling enables lateral clearing.

In addition, steplessly height-adjustable castors and edge deflectors, which protect the blade from damage, are included in the basic equipment. The blade has an optimised tilt angle, resulting in clean clearing results and maximum smoothness.

## INSTALLATION VARIANTS

- » A-frame
- » Three-point linkage
- » Wheel loader / telescopic attachment
- » Attachment plate fitting to Unimog vehicles DIN 76060
- » Fork-tines attachment

## optional EQUIPMENT VERSIONS

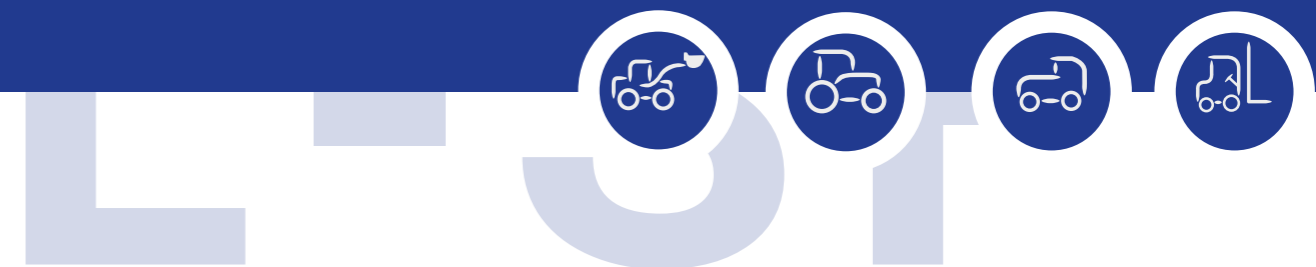
- » Hydraulic angling for easy swivelling with optional pressure relief valve and/or pressure holding valve
- » Side levelling for optimum ground adjustment
- » Extra sturdy wheels Ø 250 x 80 mm for heavy-duty application.
- » Snow guide cloth for the driver's good visibility
- » Limiting lights (LED) acc. to StVZO (road traffic licensing authority) when driving in road traffic
- » Signal flag holder und signal flags
- » Special paint according to RAL (standard RAL 2004)

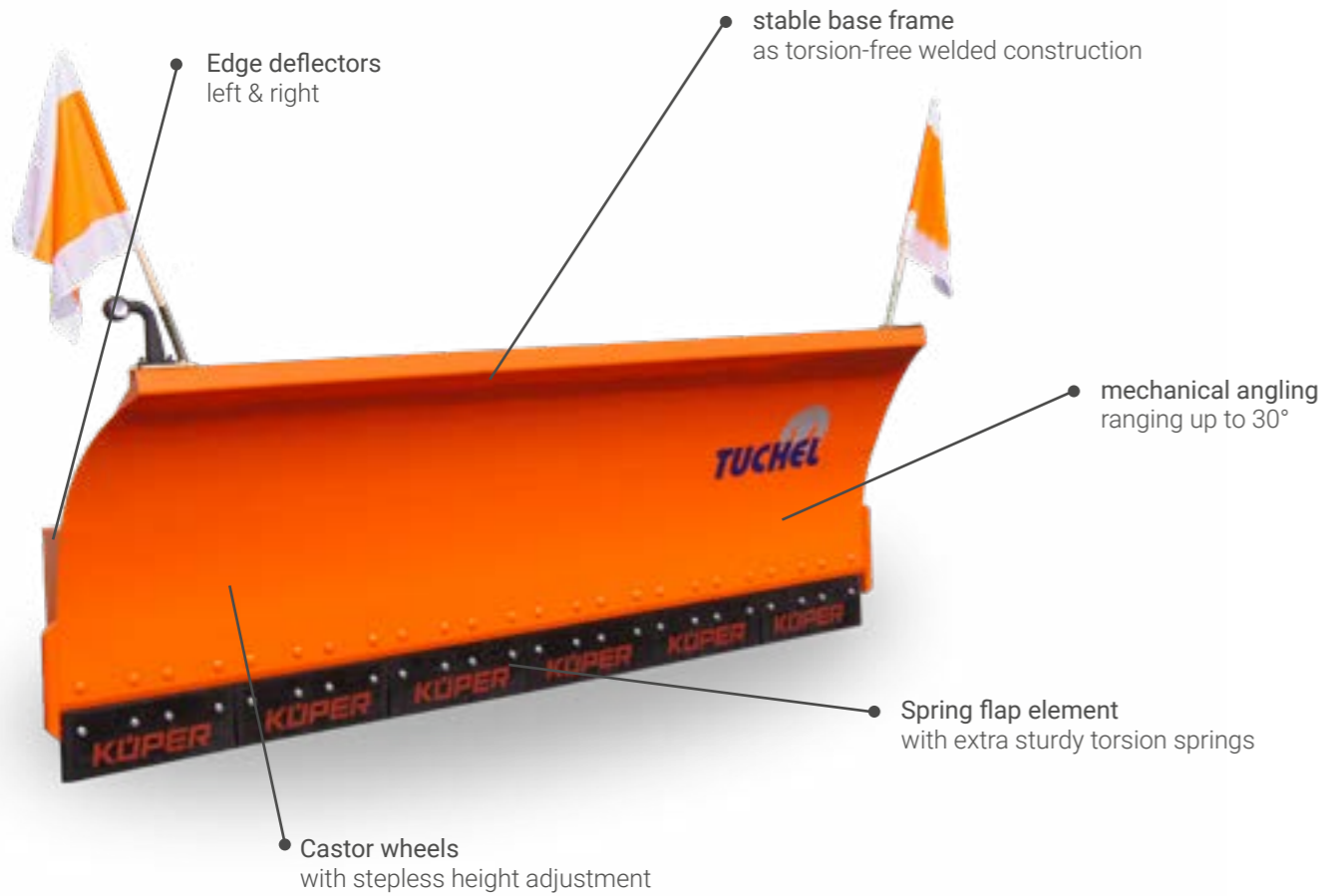


## TECHNICAL DATA

	200 cm	225 cm	250 cm	275 cm	300 cm
Clearing width (straight/angled) [cm]	200/175	225/196	250/218	275/249	300/259
Total width (max. extension) [cm]	210	235	260	285	310
Weight (without attachment) [kg]	277	300	321	345	366
Height [cm]	82	82	82	82	82
Angled position	up to 30°	up to 30°	up to 30°	up to 30°	up to 30°

# SNOW





The robust SF snow blade withstands even the toughest weather conditions and can be mounted on the front of wheel loaders, tractors and Unimog vehicles.

The sturdy base frame is equipped with non-icing spring flap segments and is optionally available with torsion-resistant PU-lip, steel trim or a highly abrasion-resistant municipal scraper bar. The bevels in the side and upper shield areas ensure a high degree of stability and the mechanical angling enables lateral clearing.

In addition, steplessly height-adjustable castors and edge deflectors, which protect the blade from damage, are included in the basic equipment. The blade has an optimised tilt angle, resulting in clean clearing results and maximum smoothness. Furthermore, this snow blade is moved by reinforced swivel cylinders.

## INSTALLATION VARIANTS

- » A-frame
- » Three-point linkage
- » Wheel loader / telescopic attachment
- » Attachment plate fitting to Unimog vehicles DIN 76060
- » Fork-tines attachment

## optional EQUIPMENT VERSIONS

- » Hydraulic angling for easy swivelling with optional pressure relief valve and/or pressure holding valve
- » Side levelling for optimum ground adjustment
- » CSE-tyres
- » Skids instead of castor rollers
- » Snow guide cloth for the driver's good visibility
- » Limiting lights (LED) acc. to StVZO (road traffic licensing authority) when driving in road traffic
- » Signal flag holder und signal flags
- » Special paint according to RAL (standard RAL 2004)



## TECHNICAL DATA

	250 cm	275 cm	300 cm	325 cm	350 cm
Clearing width (straight/angled) [cm]	250/215	275/236	300/258	325/279	350/301
Total width (max. extension) [cm]	260	285	310	335	360
Weight (without attachment) [kg]	385	413	439	466	489
Height [cm]	108	108	108	108	108
Angled position	up to 30°	up to 30°	up to 30°	up to 30°	up to 30°



# SNOW

# SF

# TUCHEL-SNOW

VARIO



The VARIO snow plough can be mounted on almost any carrier vehicle and impresses with its flexibility.

The robust carrier frame with two hydraulically adjustable folding wings can be used separately in V, Y or straight position. The non-icing spring flap segments serve as overrun protection with overload protection via a nitrogen accumulator.

In addition, steplessly height-adjustable castors and the left and right edge deflectors, which protect the blade from damage, are included in the basic equipment. As option, the blade can be purchased with a torsion-resistant PU-lip, steel trim or a highly abrasion-resistant municipal scraper bar.

## INSTALLATION VARIANTS

- » A-frame
- » Three-point linkage
- » Wheel loader / telescopic attachment
- » Municipal vehicle attachment (up to 180 cm)
- » Attachment plate fitting to Unimog vehicles DIN 76060 (from 210 cm)
- » Fork-tines attachment

## optional EQUIPMENT VERSIONS

- » Perfect control for wing adjustment in straight position right/left or from Y-shape to V-shape in one operation
- » Side levelling for optimum ground adjustment
- » Extra sturdy wheels for heavy-duty application.
- » Skids instead of castor rollers
- » Limiting lights (LED) acc. to StVZO (road traffic licensing authority) when driving in road traffic
- » Signal flag holder und signal flags
- » Special paint according to RAL (standard RAL 2004)



## TECHNICAL DATA

	150 cm	180 cm	210 cm	240 cm	260 cm	320 cm	370 cm
Clearing width (straight/angled) [cm]	150/135	179/161	218/196	238/214	268/224	318/265	368/300
Clearing (V-shape / Y-shape) [cm]	135/135	161/160	199/193	217/211	226/222	273/257	281/320
Weight (without attachment) [kg]	187	210	318	335	421	468	550
Height [mm]	570	570	770	770	770	770	825
Angled position (rear/front)	28 °/27 °	28 °/27 °	26 °/28 °	26 °/28 °	34 °/34 °	32 °/36 °	41 °/30 °

# SNOW

# VARIO





The Tichel-Trac Trio is the appropriate carrier vehicle for minimising heavy physical work in agriculture, landscaping, municipalities or in the construction industry. Due to the compact design you have everything in view from the driver's seat and short distances when changing tools.

The four-wheel drive, the rear steering axle and the hydraulic steering distinguish this tricycle. You can use the Tichel-Trac Trio perfectly in difficult terrain and in the tightest of spaces.

Two double-acting control circuits ensure rapid and powerful working. The joysticks of the working hydraulics are within easy reach, right next to the adjustable seat.

The completely swivelling plastic bonnet makes the components easily accessible for maintenance and service. With the Tichel-Trac Trio you have a powerful vehicle that is easy to operate.

### optional EQUIPMENT VERSIONS

- » Bedding device "E" with agitator shaft & tipping device, volume 450 l, manure pusher 145 cm, side brush Ø 850 cm (100% PP)
- » Bedding device "F" with screw conveyor, volume 160 l, manure pusher 145 cm, side broom Ø 850 cm (100% PP)
- » Feed auger 110 cm (option: concentrated feed distributor)
- » Hydraulic manure slider 130 cm with double lip (Option: side sweeping broom)
- » Rubber slider 160 cm hydraulic right/left swivelling
- » Sweeper Simplex 120 cm
- » Snow blade L-SK 125 cm
- » Radial broom Ø 1200 cm, 100 % PP, hydr. driven, with right/left rotation
- » Radial broom with feed guide plate
- » Weed brush Ø 750 cm hydraulic right/left swivel device hydraulic 4-fold multi coupling



### TECHNICAL DATA

	2 cylinders	3 cylinders
Engine [kW (PS)]	10.3 (14) at 3,200 rpm	14.9 (20) at 3,600 rpm
Hydraulic flow rate [l/min]	25 at 3,200 rpm	25 at 3,200 rpm
Tank capacity (hydraulic) [l]	65	65
Total width / turning circle (outside) [mm]	920 / 2.920 (3.660)	920 / 2.920 (3.660)
Weight [kg]	642 (ready for operation)	680 (ready for operation)

# TRAC

# TRIO



The Tichel-Trac FarmXpert - the right 3in1 vehicle for dairy farms, which saves time-consuming, heavy manual labour and relieves the personnel. Sweeping out resting cubicles, re-littering, cleaning gaps, all in one operation.

The compact design and hydraulic front-wheel steering ensure high manoeuvrability and excellent visibility between the sometimes narrow aisles of the resting cubicles. The FarmXpert drives precisely and sensitively thanks to the hydrostatic travel drive. The robust and powerful Kubota diesel engine ensures sufficient power in every situation. The optimal seating position with the clearly arranged controls and the easily accessible maintenance points are highly user-friendly.

Everything is designed for the user.

The very clearly positioned right-hand side brush can be infinitely adjusted to the height of the resting cubicles thanks to hydraulic adjustment. A slurry scraper for pushing off the slatted floors is centrally located under the carrier-vehicle and guarantees work close to the edge.

The bedding tool positioned at the rear provides an optimal overview and protects the user from bedding dust for the most part. Equipped with an agitator shaft, a dosing metal plate and different inserts, individual adjustments can be made depending on the spreading material. To pick up spreading material, the bedding box is hydraulically lowered to drive into the spreading material. Alternatively, the bedding tool can also be filled by hand or loader. The height of the bedding tool is hydraulically adjustable and can be optimally adapted to the resting cubicles.

## OPTIONEN

- » Side brush Ø 850 mm with hydraulic lifting (right)
- » Slurry scraper 120 cm with hydraulic lifting
- » Container extension 610l / 900l
- » Various stirring fingers & inserts for the bedding tool



## TECHNICAL DATA

	<b>2 cylinders</b>
Engine [kW (PS)]	10,3 (14) Kubota at 3.200 U/min
Hydraulic performance [l/min]	25 at 3.200 U/min
Tank capacity (hydraulic) [l]	27
Total width / turning circle [mm]	1100 / 2600
Weight [kg]	971 (ready for operation in complete equipment)



Small, compact, manoeuvrable and fast – that’s the MINI 3! This innovative machine has been specially developed to make work on the farm easier.

In addition to the petrol engine Honda GXV 390, an environmentally friendly electric version with the EGO PU2700E is also available, so that you can choose between two powerful options.

The MINI 3 is equipped as standard with a hydrostatic front-wheel drive that provides effortless control and excellent traction.

Thanks to the rear steering axle, the MINI 3 has an impressive turning circle of just 490 mm, making manoeuvring in tight spaces easy.

Many attachments can be fitted and removed quickly and easily, making light work of a wide range of tasks around your yard.

Both models are ideal for a variety of applications and offer the quality and reliability you expect from Tichel.

### optional EQUIPMENT VERSIONS

- » Slurry scraper 105 cm, V-shaped, double lip with low-wear PU-lips
- » Slurry scraper with side brush  $\varnothing$  600 mm, 100 % PP, hydraulic swivel, mechanical height adjustment
- » Bedding unit volume 48 l, for light-weight spreading material
- » Feed pusher / snow clearing blade 135 cm, right/left swivel-mounted, with low-wear scraper edge for optimum feed resupply, cleaning of the feed table and snow clearing
- » Feed blade / snow blade with hydraulic angling
- » Radial brush 105 cm, 100 % PP, hydraulically driven, two-way rotation
- » Radial brush with feed supply plate
- » Weed brush  $\varnothing$  750 mm, mechanically adjustable
- » Sweeper 100 cm, brushes-  $\varnothing$  320 mm, Swivel castors  $\varnothing$  140 mm, inside-mounted hydraulic motor, including splash guard for free-sweeping version, levelling
- » High-tipping bucket, width 87 cm, volume 50 l, hydraulically operated tipping out



## TECHNICAL DATA

### MINI 3

Dimensions without attachment [mm]

W: 850 L: 1,690 H: 1.750

Engine / power

Honda GXV 390 / 7.6 kW (10.2 hp) / E-starter and reversing starter



EGO PU 2700E / 24 AH / interchangeable battery pack system & ECO mode

Drive

hydrostatic front wheel drive through V-belt

Lifting system

hydraulic

Hydraulic connectors

1 x double-acting (12/11 l / 170 bar)

Weight basic vehicle [kg]

290 / 280

Turning radius [mm]

980

# TRAC

# MINI 3

# TUCHEL-TRAC

## BEDDING MACHINE

450-litre basic container,  
hydraulic conveyor belt drive,  
adjustable external discharge gate



### Options

- Hydraulically folding side brush Ø 850mm (fine & light bedding material, e.g. chopped straw, sawdust/shavings; high boxes):
- Slurry scraper: working width 145 cm
- Quick coupler for farm loader up to 2500 kg
- Cover: protects the bedding material from moisture (also suitable for container extensions)  
Various agitator fingers
- Container with internal dosing plate
- Container extension to increase the container volume (for light bedding material)  
+ 170 l (total volume 620 l)  
+ 375 l (total volume 825 l)
- Electromagnetic switchover (EM) 12/24 V

agitator shaft to prevent bridging,  
infinitely variable agitator shaft and conveyor belt speed (for  
finer adjustment of the discharge quantity)

## TECHNICAL DATA





# SPECIAL MACHINES



Tuchel Smart Control unit incl. radio remote control



Airport Giant for the airport



special colour & side brush on both sides



Scratching device (pointed shape)



side-shift on Unimog attachment



TUCHEL Smart-Line sweeper 100cm

For EVERYONE  
WE have a clean solution!

## TUCHEL Fire fighting Trac

The specially developed firefighting Trac is able sweeping many personnel problems out of the way in its field of application and make work easier.



## High-pressure spray installation

With the Dynaset high-pressure spray system, your sweeper is ready for operation for reliable high-pressure and street cleaning.



## TUCHEL SmartLine

The Smart-Line series from Tuchel includes a sweeper in 100 or 120 cm and a snow blade in 135 or 150 cm.



## BUSINESS MANAGEMENT

### DENNIS SCHÜRMAN

d.schuermann@tuchel.com  
+49 (0) 5971 96 75 0

## BACK OFFICE

### IRMLIND RICKERMANN

i.rickermann@tuchel.com  
+49 (0) 5971 96 75 13

### ANDREAS HECKMANN

a.heckmann@tuchel.com  
+49 (0) 5971 96 75 53

## EXPORT

### CHRISTIAN SCHULTE

c.schulte@tuchel.com  
+49 (0) 174 49 28 815  
+49 (0) 5971 96 75 39

### NIKLAS WILDE

n.wilde@tuchel.com  
+49 (0) 5971 96 75 37

## SPARE PARTS SERVICE

### BERNHARD STRIET

b.striet@tuchel.com  
+49 (0) 5971 96 75 24

### MARKUS GROÙE-KLEIMANN

m.kleimann@tuchel.com  
+49 (0) 5971 96 75 85

### ALEXANDER MICHLER

a.michler@tuchel.com  
+49 (0) 5971 96 75 46

## WARRANTY SERVICE

### STEFAN HÜLSMANN

s.huelsmann@tuchel.com  
+49 (0) 5971 96 75 20

# HIGH QUALITY



MADE IN GERMANY

## **Tuchel Maschinenbau GmbH**

Holsterfeld 15  
D-48499 Salzbergen

+49 (0) 5971 96 75 0

+49 (0) 5971 96 75 30

info@tuchel.com

03/2025\_80059-0130



@tuchel



@Tuchel Maschinenbau



@TuchelMaschinenbauGmbH

